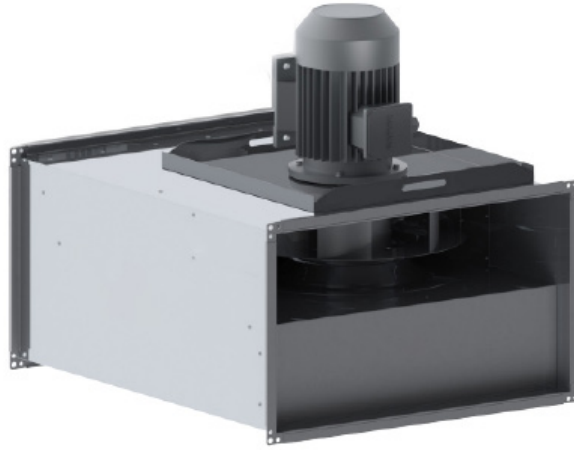
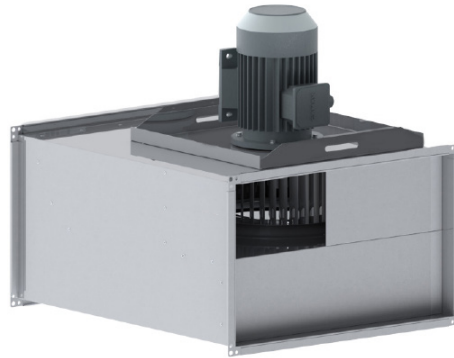


## BACKWARD CURVED RECTANGULAR IN LINE DUCT FANS WITH EXTERNAL MOTOR



MODEL	DIMENSIONS (CM)	VOLTAGE (VOLT/HZ)	CURRENT (A)		MOTOR POWER		AIR FLOW (m3/h)	SPEED (d/d)
			MONOFAZE	TRIFAZE	HP	kW		
CDKF-S-315	60X35	230/380/50	1,82	0,79	1/3	0,25	2850	1400
CDKF-S-355	60X35	230/380/50	2,54	1,20	1/2	0,37	3400	1400
CDKF-S-400	70X40	230/380/50	3,38	1,54	3/4	0,55	4500	1400
CDKF-S-450	70X40	230/380/50	7,30	2,56	1,5	1,1	6200	1400
CDKF-S-500	80X50	230/380/50	9,20	3,40	2	1,5	8700	1400
CDKF-S-560	100X50	230/380/50	13,60	5,25	3	2,2	10500	1400
CDKF-S-630	100X50	230/380/50	19	6,60	4	3	12500	1400

## BACKWARD CURVED RECTANGULAR IN LINE DUCT FANS WITH EXTERNAL MOTOR



MODEL	DIMENSIONS (CM)	VOLTAGE (VOLT/HZ)	CURRENT (A)		MOTOR POWER		AIR FLOW (m3/h)	SPEED (d/d)
			MONOFAZE	TRIFAZE	HP	kW		
CDKF-SK-200	40X20	230/380/50	1,82	0,79	1/3	0,25	1000	1400
CDKF-SK-220	50X25	230/380/50	2,54	1,20	1/2	0,37	1650	1400
CDKF-SK-250	50X30	230/380/50	3,38	1,54	3/4	0,55	2150	1400
CDKF-SK-280	60X30	230/380/50	4,72	2,56	1	1,1	2950	1400
CDKF-SK-315	60X35	230/380/50	9,20	3,40	2	1,5	4000	1400
CDKF-SK-355 A	70X40	230/380/50	13,55	5,25	3	2,2	8000	1400
CDKF-SK-355 B	70X40	380/50	3,08		1,5	1,1	5500	900
CDKF-SK-400	80X50	380/50	3,63		2	1,5	6500	900
CDKF-SK-450	100X50	380/50	5,25		3	2,2	7500	900